

MECHANICAL EQUIPMENT SCHEDULE									
CALLOUT	DESCRIPTION	VOLTS	KVA	MCA	MOC	WIRE CALLOUT	DISCONNECT	DISC PROV BY	DISC INST BY
CU-1	CONDENSING UNIT	208/120V 2P 3W	3.54	17	30	3/4"C,2#10,#10N,#10G	NON-FUSED	EC	EC
CU-2	CONDENSING UNIT	208/120V 2P 3W	3.54	17	30	3/4"C,2#10,#10N,#10G	NON-FUSED	EC	EC
CU-3	CONDENSING UNIT	208/120V 2P 3W	3.54	17	30	3/4"C,2#10,#10N,#10G	NON-FUSED	EC	EC
CU-4	CONDENSING UNIT	208/120V 2P 3W	3.54	17	30	3/4"C,2#10,#10N,#10G	NON-FUSED	EC	EC
CU-5	CONDENSING UNIT	208/120V 2P 3W	3.54	17	30	3/4"C,2#10,#10N,#10G	NON-FUSED	EC	EC
CU-6	CONDENSING UNIT	208/120V 2P 3W	3.54	17	30	3/4"C,2#10,#10N,#10G	NON-FUSED	EC	EC
CU-7	CONDENSING UNIT	208/120V 2P 3W	3.54	17	30	3/4"C,2#10,#10N,#10G	NON-FUSED	EC	EC
CU-8	CONDENSING UNIT	208/120V 2P 3W	3.54	17	30	3/4"C,2#10,#10N,#10G	NON-FUSED	EC	EC
CU-9	CONDENSING UNIT	208/120V 2P 3W	3.54	17	30	3/4"C,2#10,#10N,#10G	NON-FUSED	EC	EC
CU-10	CONDENSING UNIT	208/120V 2P 3W	3.54	17	30	3/4"C,2#10,#10N,#10G	NON-FUSED	EC	EC
CU-11	CONDENSING UNIT	208/120V 2P 3W	3.54	17	30	3/4"C,2#10,#10N,#10G	NON-FUSED	EC	EC
CU-12	CONDENSING UNIT	208/120V 2P 3W	3.54	17	30	3/4"C,2#10,#10N,#10G	NON-FUSED	EC	EC
CU-13	CONDENSING UNIT	208/120V 2P 3W	2.5	12	15	3/4"C,2#10,#10N,#10G	NON-FUSED	EC	EC
CU-14	CONDENSING UNIT	208/120V 2P 3W	2.5	12	15	3/4"C,2#10,#10N,#10G	NON-FUSED	EC	EC
F-1	FURNACE	120V 1P 2W	1.18	9.8	15	3/4"C,1#10,#10N,#10G	DUPLEX RECEPTACLE	EC	EC
F-2	FURNACE	120V 1P 2W	1.18	9.8	15	3/4"C,1#10,#10N,#10G	DUPLEX RECEPTACLE	EC	EC
F-3	FURNACE	120V 1P 2W	1.18	9.8	15	3/4"C,1#10,#10N,#10G	DUPLEX RECEPTACLE	EC	EC
F-4	FURNACE	120V 1P 2W	1.18	9.8	15	3/4"C,1#10,#10N,#10G	DUPLEX RECEPTACLE	EC	EC
F-5	FURNACE	120V 1P 2W	1.18	9.8	15	3/4"C,1#10,#10N,#10G	DUPLEX RECEPTACLE	EC	EC
F-6	FURNACE	120V 1P 2W	1.18	9.8	15	3/4"C,1#12,#12N,#12G	DUPLEX RECEPTACLE	EC	EC
F-7	FURNACE	120V 1P 2W	1.18	9.8	15	3/4"C,1#10,#10N,#10G	DUPLEX RECEPTACLE	EC	EC
F-8	FURNACE	120V 1P 2W	1.18	9.8	15	3/4"C,1#10,#10N,#10G	DUPLEX RECEPTACLE	EC	EC
F-9	FURNACE	120V 1P 2W	1.18	9.8	15	3/4"C,1#10,#10N,#10G	DUPLEX RECEPTACLE	EC	EC
F-10	FURNACE	120V 1P 2W	1.18	9.8	15	3/4"C,1#10,#10N,#10G	DUPLEX RECEPTACLE	EC	EC
F-11	FURNACE	120V 1P 2W	1.18	9.8	15	3/4"C,1#10,#10N,#10G	DUPLEX RECEPTACLE	EC	EC
F-12	FURNACE	120V 1P 2W	1.18	9.8	15	3/4"C,1#10,#10N,#10G	DUPLEX RECEPTACLE	EC	EC
F-13	FURNACE	120V 1P 2W	1.18	9.8	15	3/4"C,1#10,#10N,#10G	DUPLEX RECEPTACLE	EC	EC
F-14	FURNACE	120V 1P 2W	1.18	9.8	15	3/4"C,1#10,#10N,#10G	DUPLEX RECEPTACLE	EC	EC
RTU-1	ROOFTOP UNIT	208V 3P 3W	18.73	52	60	1"C,3#4,#10G	NON-FUSED	EC	EC

ELECTRICAL ABBREVIATIONS

AC	ABOVE COUNTERTOP	MC	MECHANICAL CONTRACTOR
AFF	ABOVE FINISH FLOOR	MCA	MINIMUM CIRCUIT AMPS
AFG	ABOVE FINISH GRADE	MDP	MAIN DISTRIBUTION PANEL
ANNC	ANNUNCIATOR	MTD	MOUNTED
CC	CONTROLS CONTRACTOR	NIC	NOT IN CONTRACT
DF	DRINKING FOUNTAIN	OCC	OCCUPANCY
EC	ELECTRICAL CONTRACTOR	PC	PLUMBING CONTRACTOR
EF	EXHAUST FAN	PNL	PANEL
EX	EXISTING	SPST	SINGLE POLE SINGLE THROW
EXR	EXISTING RELOCATED	TTB	TELEPHONE TERMINAL BOARD
GC	GENERAL CONTRACTOR	TYP	TYPICAL
GFI	GROUND FAULT INTERRUPT	WG	WIRE GUARD
HP	HORSEPOWER	WP	WEATHER PROOF
IBC	INTERNATIONAL BUILDING CODE	20A	20 AMP
IG	ISOLATED GROUND	Ø	PHASE
LV	LOW VOLTAGE	3W	3 WIRE
LVRP	LV RELAY PANEL	1P20A	SINGLE POLE 20 AMP

GENERAL ELECTRICAL NOTES

- CONTRACTOR TO VERIFY EXISTING ELECTRICAL CONDITIONS AND NOTIFY ARCHITECT/ENGINEER OF ANY ELECTRICAL OR CODE ISSUES PRIOR TO BID. CONTRACTOR IS RESPONSIBLE FOR PROVIDING A COMPLETE AND OPERATIONAL CODE COMPLIANT SYSTEM.
- ALL WORK SHALL BE IN CONFORMANCE WITH NATIONAL, STATE, AND LOCAL CODES AND/OR ORDINANCES.
- ELECTRICAL CONTRACTOR SHALL COORDINATE WORK WITH ALL OTHER CONTRACTORS & LOCAL UTILITY. E.G. SHALL CONTACT LOCAL UTILITY FOR EXACT SERVICE REQUIREMENTS TO INCLUDE BUT NOT LIMITED TO TRANSFORMER, METERING AND CABLING. LOCAL UTILITY REQUIREMENTS SUPERSEDE DRAWINGS AND SPECIFICATIONS.
- SEE ARCHITECTURAL, MECHANICAL, & PLUMBING DRAWINGS FOR ADDITIONAL REQUIREMENTS.
- ELECTRICAL DRAWINGS ARE DIAGRAMMATIC ONLY. THEY ARE INTENDED TO GIVE APPROXIMATE LOCATIONS AND OVERALL DESIGN INTENT. THE ELECTRICAL CONTRACTOR SHALL BE RESPONSIBLE FOR PRODUCTS, MATERIALS, AND ELECTRICAL METHODS WHICH HAVE NOT BEEN SHOWN OR INDICATED BUT ARE REQUIRED FOR A COMPLETE SYSTEM TO THE STANDARDS OF THE INDUSTRY.
- INSTALL LIGHTING FIXTURES IN ACCORDANCE WITH MANUFACTURER'S RECOMMENDATIONS. PROVIDE SUPPORTING DEVICES FOR ADEQUATE SUPPORT OF FIXTURES FROM STRUCTURE.
- UPON COMPLETION OF THE ELECTRICAL WORK, THE INSTALLATION SHALL BE TESTED FOR CONTINUITY, GROUNDS, AND SHORT CIRCUITS. THE ELECTRICAL CONTRACTOR SHALL DEMONSTRATE PROPER PERFORMANCE OF ALL SYSTEMS. ALL DEFECTIVE WORK OR MATERIALS SHALL BE REPLACED OR REPAIRED AS NECESSARY AND RETESTED.
- ELECTRICAL RACEWAYS THAT PENETRATE FIRE RATED ASSEMBLIES SHALL BE SLEEVED AND SEALED AS PER THE LOCAL BUILDING CODE.
- THE ELECTRICAL CONTRACTOR SHALL PROVIDE A TEMPORARY ELECTRICAL SYSTEM FOR THE PROJECT. AT LEAST ONE 120 VOLT SINGLE PHASE RECEPTACLE SHALL BE PROVIDED FOR EACH 500 SQUARE FEET OF FLOOR SPACE. SUFFICIENT TEMPORARY LIGHTING SHALL BE PROVIDED TO ALLOW ALL CONTRACTORS TO COMPLETE THEIR WORK. TEMPORARY ELECTRICAL CIRCUITS SHALL BE EQUIPPED WITH COMBINATION GROUND FAULT INTERRUPTER AND CIRCUIT BREAKER PER NEC. TEMPORARY ELECTRICAL SYSTEM SHALL BE INCLUDED IN THIS BID. USAGE CHARGES SHALL BE PAID FOR BY THE GENERAL CONTRACTOR.

ELECTRICAL LEGEND

	PANEL BOARD
	DISTRIBUTION PANEL BOARD
	TRANSFORMER
	UTILITY METER
	SEPARATE CIRCUIT BREAKER
	DISCONNECT
	FUSED DISCONNECT SWITCH
	EMERGENCY FUSED DISCONNECT SWITCH
	MOTOR STARTER/CONTRACTOR
	COMBINATION MOTOR STARTER
	PUSH BUTTON STATION AS NOTED
	PULL BOX, SIZE AS REQUIRED BY CODE
	ELECTRICAL CONNECTION
	MOTOR CONNECTION
	HOME RUN TO PANEL BOARD

ELECTRICAL SHEET INDEX

E-000	ELECTRICAL TITLE SHEET
ED-101	ELECTRICAL DEMOLITION PLAN - FIRST FLOOR
ED-201	ELECTRICAL DEMOLITION PLAN - ROOF
E-101	ELECTRICAL LIGHTING PLAN - ALTERNATE
E-102	ELECTRICAL POWER PLAN
E-201	ELECTRICAL ROOF PLAN
E-401	ELECTRICAL ONE-LINE DIAGRAM AND SCHEDULES
E-501	ELECTRICAL DETAILS SHEET

AGP
the Abla Griffin
Partnership L.L.C.

201 N. BROADWAY
SUITE 210
MOORE, OK. 73160
405.735.3477
AGP@theAGP.net
www.theAGP.net

SALAS O'BRIEN
MECHANICAL / ELECTRICAL



JV
drawn by
TVO
checked by
MARCH 2024
date
revisions

MOORE PUBLIC SCHOOLS
BOARD OF EDUCATION
MOORE, OKLAHOMA



HVAC REPLACEMENT
KINGSGATE
ELEMENTARY SCHOOL

sheet no:

E-000



2600 Van Buren St., Suite 2635
Norman, OK 73072
Salas O'Brien Registration: CA# 7058
Expiration Date: 6/30/2025
Salas O'Brien Project Number: 2024-01144-00

OWNERSHIP USE OF DOCUMENTS:

AGP EXPRESSLY RESERVES ITS
COPYRIGHT AND OTHER PROPERTY
RIGHTS OF ALL PLANS AND DRAWINGS
DESIGNED AND/OR PRODUCED. PLANS
AND DRAWINGS ARE NOT TO BE
REPRODUCED IN ANY FORM OR MANNER
WITHOUT THE EXPRESSED WRITTEN
CONSENT OF AGP.



JV
drawn by
TVO
checked by
MARCH 2024
date
revisions

MOORE PUBLIC SCHOOLS
BOARD OF EDUCATION
MOORE, OKLAHOMA

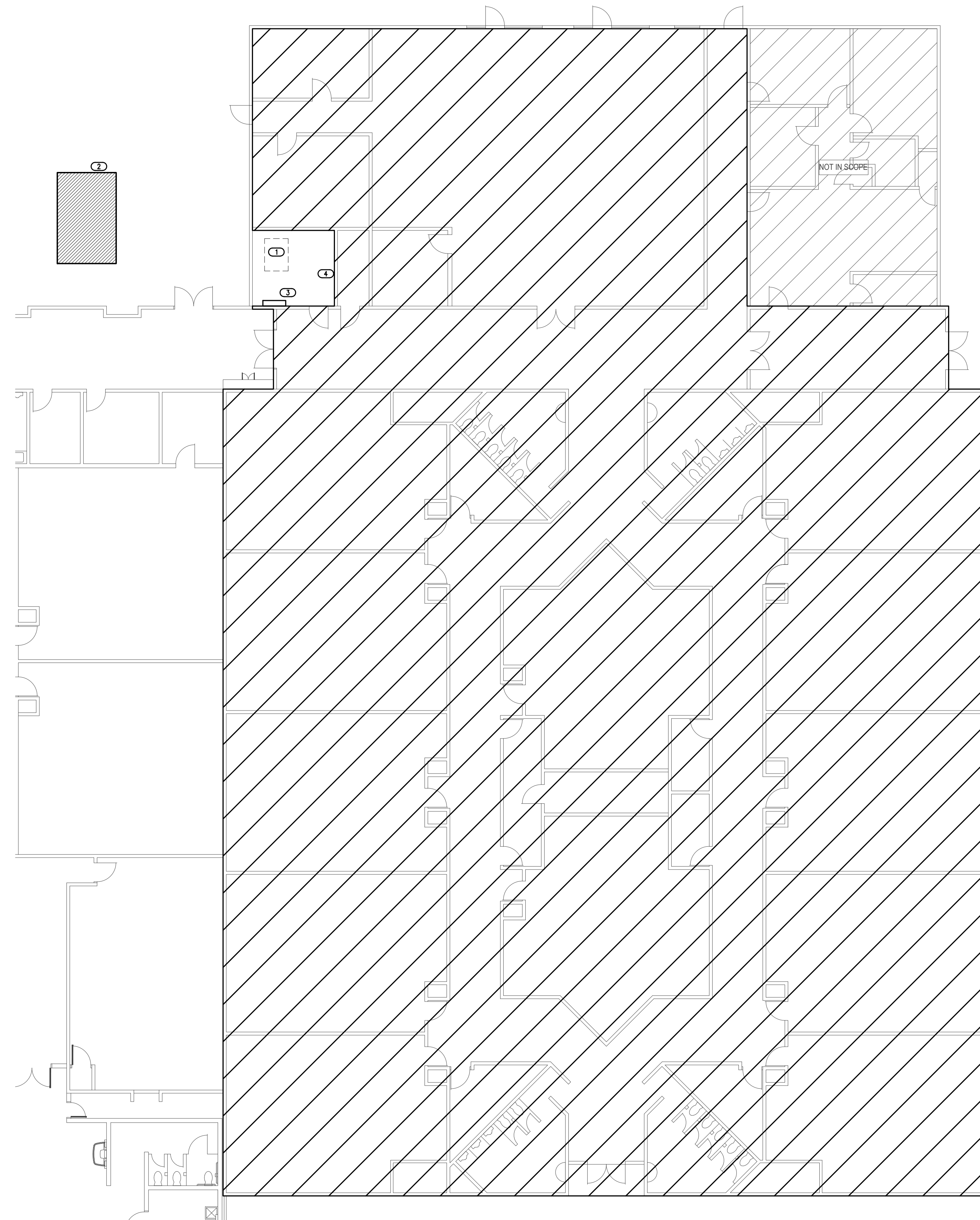


HVAC REPLACEMENT
KINGSGATE
ELEMENTARY SCHOOL

sheet no:

ED-101

OWNERSHIP USE OF DOCUMENTS:
AGP EXPRESSLY RESERVES ITS
COPYRIGHT AND OTHER PROPERTY
RIGHTS OF ALL PLANS AND DRAWINGS
DESIGNED AND/OR PRODUCED. PLANS
AND DRAWINGS ARE NOT TO BE
REPRODUCED IN ANY FORM OR MANNER
WITHOUT THE EXPRESSED WRITTEN
CONSENT OF AGP.



ALTERNATE BID

EC TO DEMOLISH AND REPLACE ALL EXISTING LIGHT FIXTURES IN THE BUILDING WITH NEW.

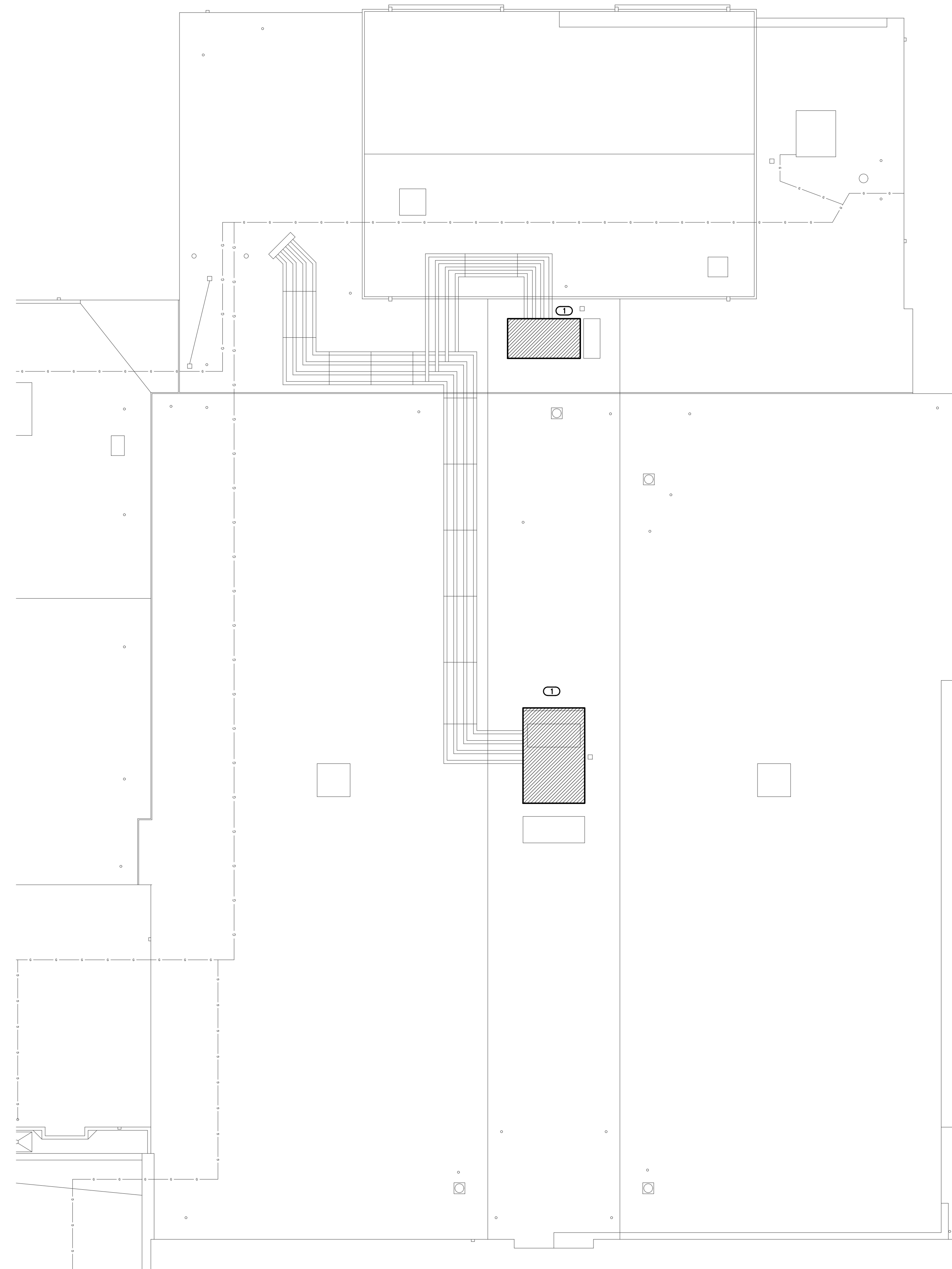
DEMOLITION GENERAL NOTES

1. THESE DEMOLITION PLANS HAVE BEEN PREPARED TO ASSIST THE CONTRACTOR IN DETERMINING THE SCOPE OF DEMOLITION WORK TO BE INCLUDED IN THIS PROJECT. THE CONTRACTOR SHOULD REVIEW ALL DRAWINGS AND SPECIFICATIONS, INCLUDING DEMOLITION SHOWN FOR OTHER TRADES, AND BECOME FAMILIAR WITH THE EXISTING CONDITIONS, IN ORDER TO DETERMINE THE SCOPE OF DEMOLITION WORK.
2. PROVIDE NEW CONDUIT AND WIRING AS REQUIRED FOR A COMPLETE CONNECTION. EXISTING CONDUIT AND WIRING MAYBE REUSED IF IN SERVICEABLE CONDITION. NEW DEVICES AND FIXTURES SHALL BE CIRCUITED TO NEW PANELS AS INDICATED. EC SHALL FIELD VERIFY EXISTING CONDITIONS AND REPORT ANY ANOMALIES TO THE ARCHITECT AND ENGINEER PRIOR TO PROCEEDING.
3. DEMOLITION PLAN INFORMATION SHOWN AT TIME OF DESIGN. EC SHALL FIELD VERIFY EXISTING CONDITIONS AND MAKE ANY NECESSARY CHANGES TO COMPLETE THE WORK.

KEYED NOTES

- 1 APPROXIMATE LOCATION OF EXISTING BOILER TO BE DE-ENERGIZED. EC TO REMOVE ALL ELECTRICAL CONNECTIONS AND FEEDERS BACK TO SOURCE PANEL AND LABEL BREAKER AS SPARE.
- 2 APPROXIMATE LOCATION OF EXISTING CHILLER TO BE DE-ENERGIZED. EC TO REMOVE ALL ELECTRICAL CONNECTIONS AND FEEDERS BACK TO SOURCE PANEL AND LABEL BREAKER AS SPARE.
- 3 APPROXIMATE LOCATION OF EXISTING 'MDP' PANEL ON THE FIRST FLOOR OF THE BUILDING. EC TO FIELD VERIFY EXACT LOCATIONS OF PANELS AND BREAKERS FEEDING BOILER AND CHILLER PRIOR TO BEGINNING WORK.
- 4 EC TO DEMOLISH EXISTING WATER HEATER CONNECTION AND PREPARE AREA FOR NEW LOCATION. REFER TO SHEET 'E-102' FOR NEW LOCATION.





DEMOLITION GENERAL NOTES

1. THESE DEMOLITION PLANS HAVE BEEN PREPARED TO ASSIST THE CONTRACTOR IN DETERMINING THE SCOPE OF DEMOLITION WORK TO BE INCLUDED IN THIS PROJECT. THE CONTRACTOR SHOULD REVIEW ALL DRAWINGS AND SPECIFICATIONS, INCLUDING DEMOLITION SHOWN FOR OTHER TRADES, AND BECOME FAMILIAR WITH THE EXISTING CONDITIONS, IN ORDER TO DETERMINE THE SCOPE OF DEMOLITION WORK.
2. PROVIDE NEW CONDUIT AND WIRING AS REQUIRED FOR A COMPLETE CONNECTION. EXISTING CONDUIT AND WIRING MAYBE REUSED IF IN SERVICEABLE CONDITION. NEW DEVICES AND FIXTURES SHALL BE CIRCUITED TO NEW PANELS AS INDICATED. EC SHALL FIELD VERIFY EXISTING CONDITIONS AND REPORT ANY ANOMALIES TO THE ARCHITECT AND ENGINEER PRIOR TO PROCEEDING.
3. DEMOLITION PLAN INFORMATION SHOWN AT TIME OF DESIGN. EC SHALL FIELD VERIFY EXISTING CONDITIONS AND MAKE ANY NECESSARY CHANGES TO COMPLETE THE WORK.

KEYED NOTES

○ APPROXIMATE LOCATION OF EXISTING AIR HANDLING UNIT TO BE DEMOLISHED. EC TO REMOVE ALL ELECTRICAL CONNECTIONS AND FEEDERS BACK TO SOURCE PANEL AND LABEL BREAKER AS SPARE.

SALAS O'BRIEN
MECHANICAL / ELECTRICAL



JV
drawn by
TVO
checked by
MARCH 2024
date
revisions

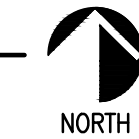
MOORE PUBLIC SCHOOLS
BOARD OF EDUCATION
MOORE, OKLAHOMA



HVAC REPLACEMENT
KINGSGATE
ELEMENTARY SCHOOL

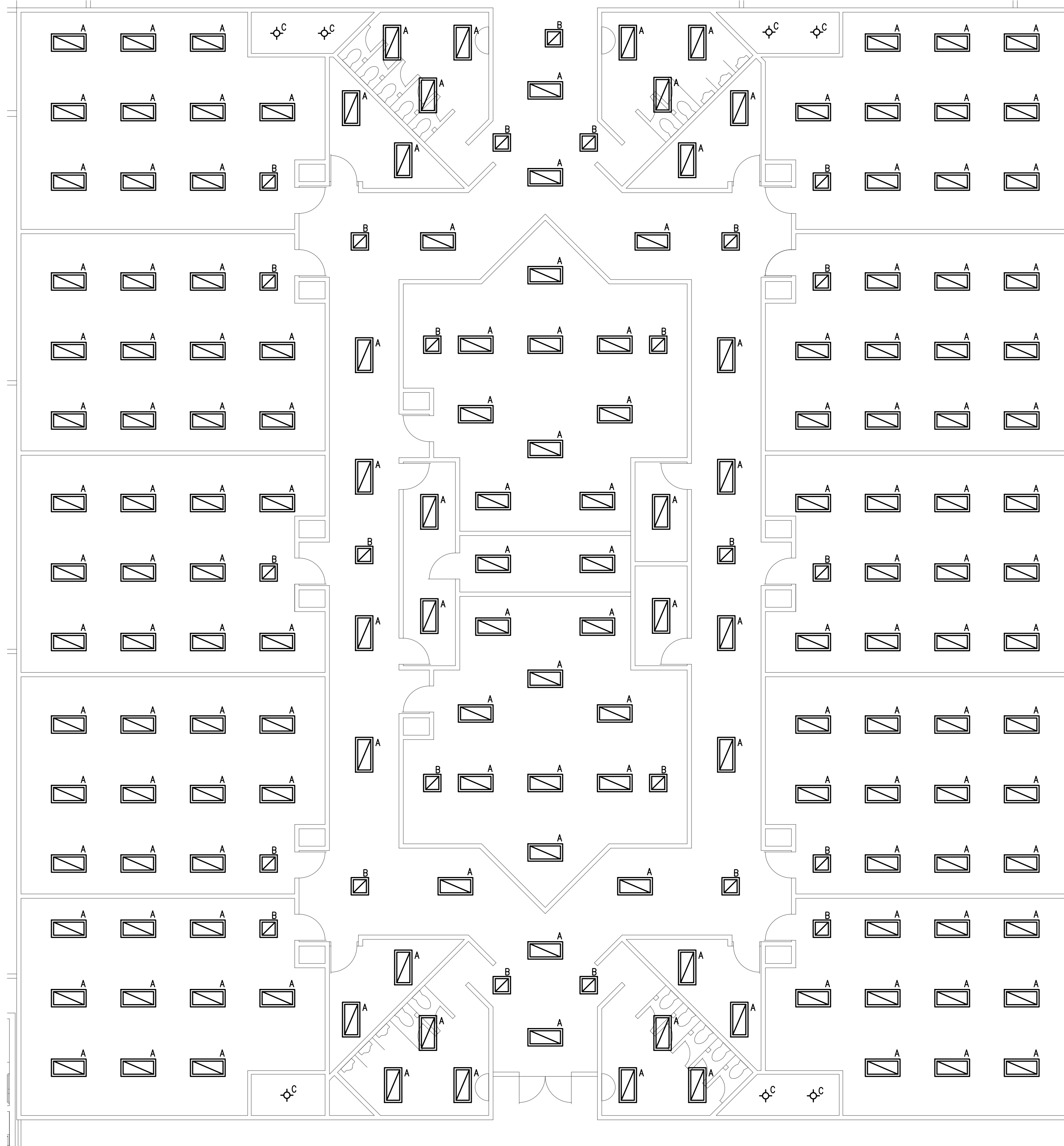
sheet no:
ED-201

1 ELECTRICAL DEMOLITION PLAN - ROOF
SCALE: 1/16" = 1'-0"



Salas O'Brien
2600 Van Buren St., Suite 2635
Norman, OK 73072
Salas O'Brien Registration: CA# 7058
Expiration Date: 6/30/2025
Salas O'Brien Project Number: 2024-01144-00

OWNERSHIP USE OF DOCUMENTS:
AGP EXPRESSLY RESERVES ITS COPYRIGHT AND OTHER PROPERTY RIGHTS OF ALL PLANS AND DRAWINGS DESIGNED AND/OR PRODUCED. PLANS AND DRAWINGS ARE NOT TO BE REPRODUCED IN ANY FORM OR MANNER WITHOUT THE EXPRESSED WRITTEN CONSENT OF AGP.



- LIGHTING GENERAL NOTES**
1. FIELD VERIFY EXISTING CONDITIONS/QUANTITIES AND REPORT ANY ANOMALIES TO ENGINEER PRIOR TO BEGINNING WORK
 2. NEW LIGHT FIXTURES SHALL BE POWERED FROM THEIR EXISTING BRANCH CIRCUITS. EC SHALL REUSE/EXTEND EXISTING CONDUIT AND WIRE TO FEED NEW FIXTURES AS NECESSARY FOR A COMPLETE CONNECTION.
 3. NEW LIGHTING TO BE CONTROLLED BY EXISTING CONTROLS UNLESS OTHERWISE NOTED IN DRAWINGS.
 4. CONNECT BATTERY PACKS TO UNSWITCHED HOT OF LOCAL LIGHTING CIRCUIT.
 5. LABEL SWITCH PLATES AND J-BOXES WITH CIRCUIT PER SPECS.
 6. PULL ALL UNUSED WIRING AND CONDUIT BACK TO SOURCE PANEL AND LABEL AS SPARE.
 7. EC SHALL UPDATE CIRCUIT DIRECTORIES IN EXISTING PANELS AS REQUIRED FOR NEW LIGHTING. NEW CIRCUITS DIRECTORIES ARE TO BE TYPED AND PRINTED.

LIGHT FIXTURE SCHEDULE				
TYPE	SYMBOL	DESCRIPTION	MANUFACTURER	REFERENCE CATALOG #
A		2x4 LED RECESSED TROFFER. 38W, 4000 LUMENS, 3500K CCT. 0-10V DIMMING.	LSI INDUSTRIES	LPASC24 LED 40L UNV DIM1 35
B		2x2 LED RECESSED TROFFER. 38W, 3900 LUMENS, 3500K CCT. 0-10V DIMMING.	LSI INDUSTRIES	LPASC22 LED 39L UNV DIM1 35
C		4 INCH ROUND DOWNLIGHT. 22W, 2200 LUMEN, 3500K CCT. 0-10V DIMMING.	LSI INDUSTRIES	LAD4R LED 24L UNV DIM1 35 TR4B WH

GENERAL NOTES:
EQUIVALENT ALTERNATE LIGHT FIXTURES MAY BE PROVIDED FOR BIDDING PURPOSES. THE ENGINEER DOES NOT TAKE RESPONSIBILITY FOR ENSURING ALTERNATE LIGHT FIXTURES USED FOR BIDDING ARE EQUAL; THE CONTRACTOR SHALL BE RESPONSIBLE FOR ENSURING ALTERNATE FIXTURES ARE EQUIVALENT TO THOSE SPECIFIED PRIOR TO BID. THE WINNING BID PACKAGE SHALL BE SUBMITTED TO THE ENGINEER FOR REVIEW IN ACCORDANCE WITH THE SPECIFICATIONS.

SALAS O'BRIEN
MECHANICAL / ELECTRICAL



JV
drawn by
TVO
checked by
MARCH 2024
date
revisions

MOORE PUBLIC SCHOOLS
BOARD OF EDUCATION
MOORE, OKLAHOMA

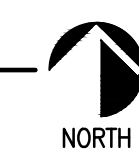


HVAC REPLACEMENT
KINGSGATE
ELEMENTARY SCHOOL

sheet no:

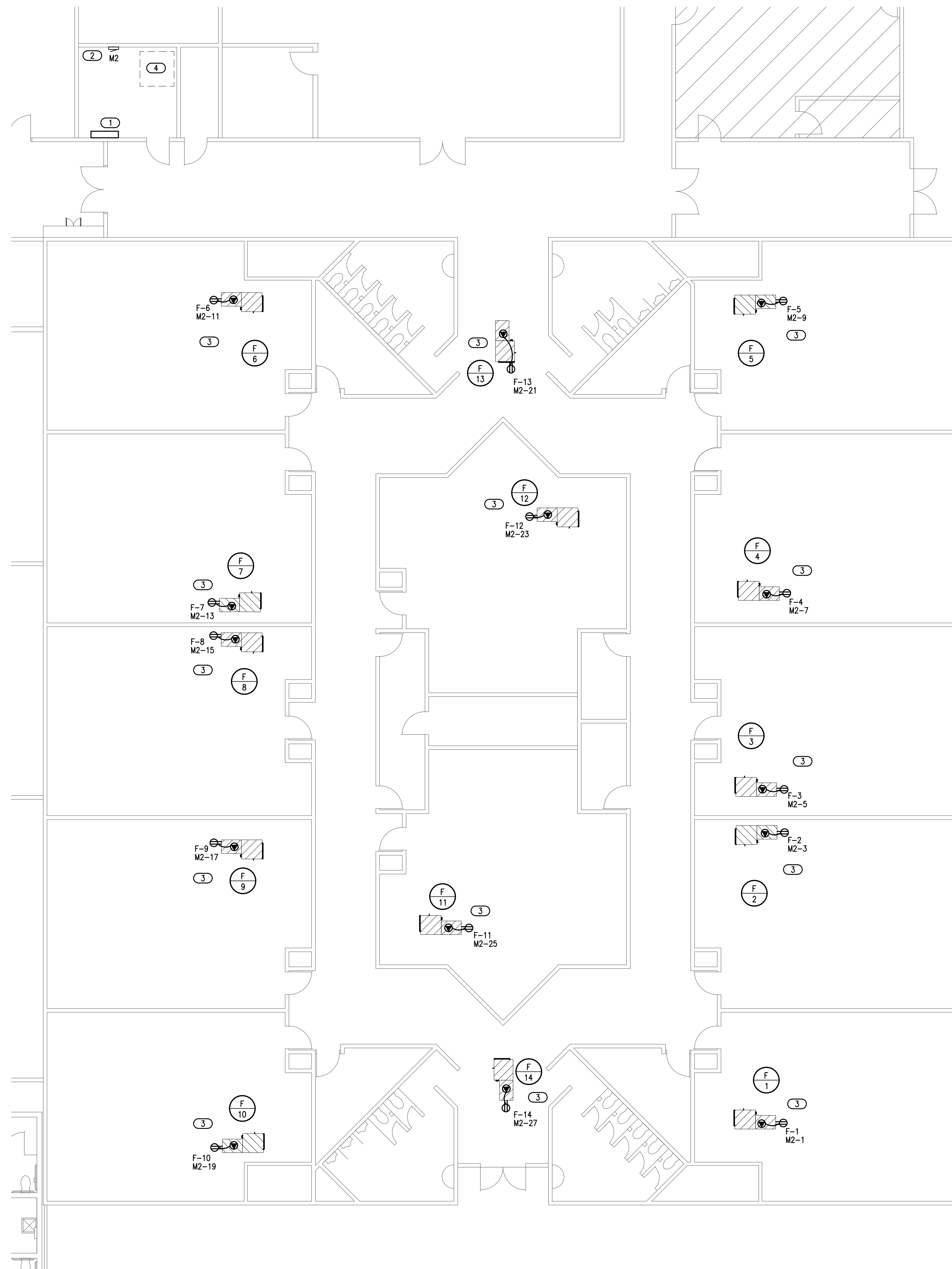
E-101

1 ELECTRICAL LIGHTING PLAN - ALTERNATE
SCALE: 1/4" = 1'-0"



Salas O'Brien
2600 Van Buren St., Suite 2635
Norman, OK 73072
Salas O'Brien Registration: CA# 7058
Expiration Date: 6/30/2025
Salas O'Brien Project Number: 2024-01144-00

OWNERSHIP USE OF DOCUMENTS:
AGP EXPRESSLY RESERVES ITS COPYRIGHT AND OTHER PROPERTY RIGHTS OF ALL PLANS AND DRAWINGS DESIGNED AND/OR PRODUCED. PLANS AND DRAWINGS ARE NOT TO BE REPRODUCED IN ANY FORM OR MANNER WITHOUT THE EXPRESSED WRITTEN CONSENT OF AGP.



POWER GENERAL NOTES

- COORDINATE EXACT LOCATIONS OF DEVICES SHOWN WITH OTHER EQUIPMENT. COORDINATE EXACT LOCATION OF CEILING MOUNTED DEVICES WITH LIGHTS, HVAC EQUIPMENT, AND OTHER DEVICES.
- COORDINATE WITH MECHANICAL CONTRACTOR AND PROVIDE ALL RELAYS, CONNECTIONS, AND ALL DEVICES NECESSARY TO INTERLOCK EXHAUST FANS, DAMPERS, ETC WITH PROPER CONTROL DEVICES.
- COORDINATE EXACT LOCATION OF MECHANICAL EQUIPMENT WITH MECHANICAL CONTRACTOR. REFER TO MECHANICAL PLANS AND MANUFACTURER FOR ADDITIONAL INFORMATION.
- FIRE STOP ALL PENETRATIONS IN FIRE AND SMOKE RATED WALLS. REFER TO ARCHITECTURAL PLANS FOR LOCATIONS AND ADDITIONAL INFORMATION.

KEYED NOTES

- APPROXIMATE LOCATION OF EXISTING MAIN PANEL. EC TO FIELD VERIFY EXACT LOCATION AND CONDITION OF PANEL AND REUSE EXISTING 600A POLE BREAKER FROM DEMOLISHED CHILLER FOR NEW PANEL 'M2'.
- NEW PANEL 'M2' TO FEED NEW MECHANICAL EQUIPMENT. REFER TO 'E-401' FOR MORE INFORMATION.
- NEW 120V/1PH CONNECTION FOR FURNACE. EC TO COORDINATE EXACT LOCATION AND CONNECTION REQUIREMENTS WITH MECHANICAL CONTRACTOR PRIOR TO BEGINNING WORK.
- EC TO EXTEND ELECTRICAL CONNECTION FOR NEW LOCATION OF EXISTING WATER HEATER. COORDINATE WITH PLUMBING CONTRACTOR.

SALAS O'BRIEN
MECHANICAL / ELECTRICAL



JV
drawn by
TVO
checked by
MARCH 2024
date
revisions

MOORE PUBLIC SCHOOLS
BOARD OF EDUCATION
MOORE, OKLAHOMA



HVAC REPLACEMENT
KINGSGATE
ELEMENTARY SCHOOL

sheet no:

E-102

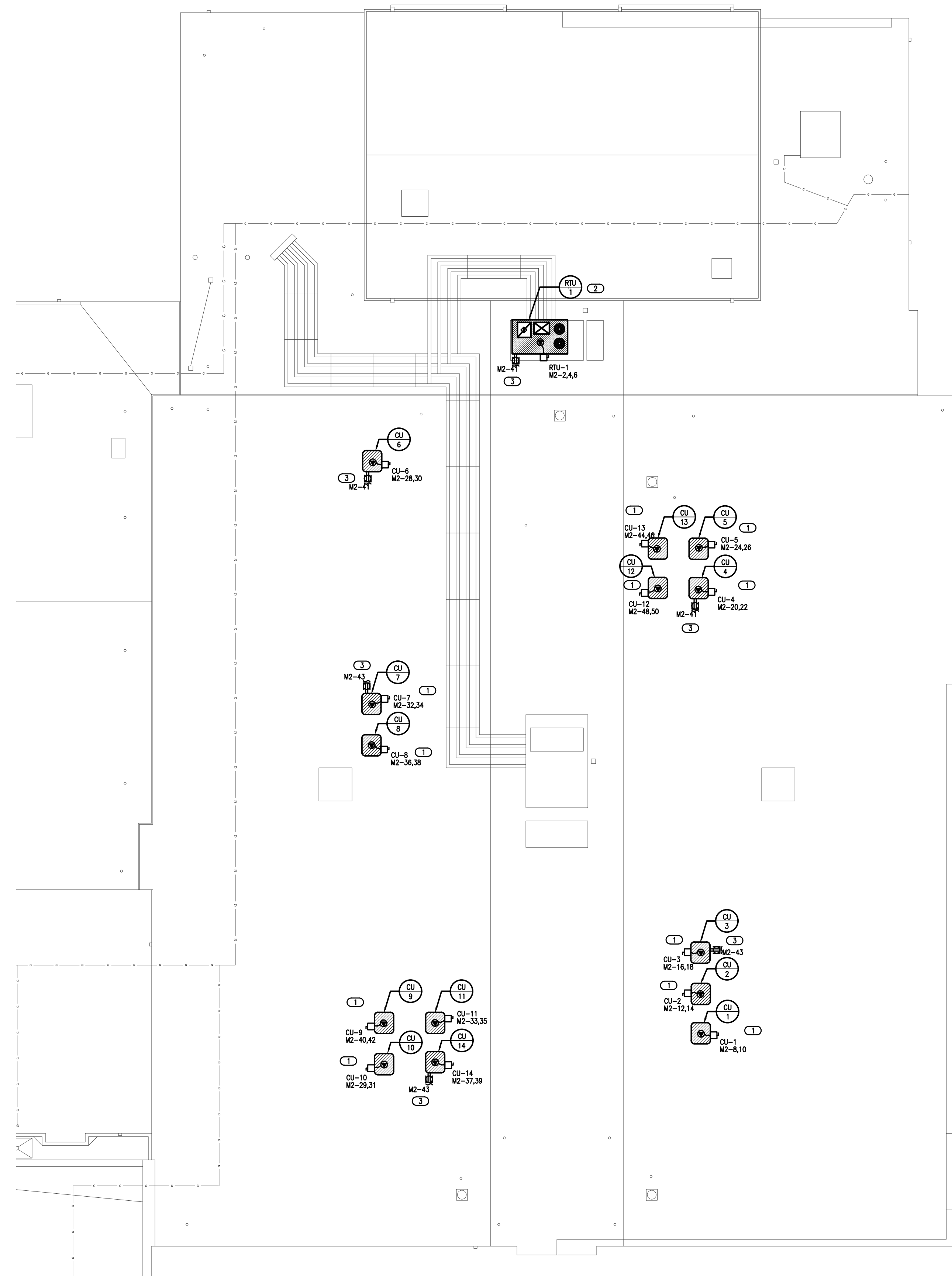
1 ELECTRICAL POWER PLAN

SCALE: 1/8" = 1'-0"



Salas O'Brien
2600 Van Buren St., Suite 2635
Norman, OK 73072
Salas O'Brien Registration: CA# 7058
Expiration Date: 6/30/2025
Salas O'Brien Project Number: 2024-01144-00

OWNERSHIP USE OF DOCUMENTS:
AGP EXPRESSLY RESERVES ITS COPYRIGHT AND OTHER PROPERTY RIGHTS OF ALL PLANS AND DRAWINGS DESIGNED AND/OR PRODUCED. PLANS AND DRAWINGS ARE NOT TO BE REPRODUCED IN ANY FORM OR MANNER WITHOUT THE EXPRESSED WRITTEN CONSENT OF AGP.



- POWER GENERAL NOTES**
- COORDINATE EXACT LOCATIONS OF DEVICES SHOWN WITH OTHER EQUIPMENT. COORDINATE EXACT LOCATION OF CEILING MOUNTED DEVICES WITH LIGHTS, HVAC EQUIPMENT, AND OTHER DEVICES.
 - COORDINATE WITH MECHANICAL CONTRACTOR AND PROVIDE ALL RELAYS, CONNECTIONS, AND ALL DEVICES NECESSARY TO INTERLOCK EXHAUST FANS, DAMPERS, ETC WITH PROPER CONTROL DEVICES.
 - COORDINATE EXACT LOCATION OF MECHANICAL EQUIPMENT WITH MECHANICAL CONTRACTOR. REFER TO MECHANICAL PLANS AND MANUFACTURER FOR ADDITIONAL INFORMATION.
 - FIRE STOP ALL PENETRATIONS IN FIRE AND SMOKE RATED WALLS. REFER TO ARCHITECTURAL PLANS FOR LOCATIONS AND ADDITIONAL INFORMATION.
 - FIRMLY MOUNT WEATHERPROOF 120V CONVENIENCE OUTLET ON UNISTRUT/KINDORF. COORDINATE WITH OTHER TRADES PRIOR TO ROUGH-IN. REDUNDANT RECEPTACLES WHETHER STAND-ALONE OR INTEGRAL TO A UNIT MAY BE OMITTED SO LONG AS ALL THE REQUIREMENTS OF NEC 210.63 ARE SATISFIED.

- KEYED NOTES**
- NEW 208/1PH CONNECTION FOR CONDENSING UNITS. EC TO COORDINATE EXACT LOCATION AND CONNECTION REQUIREMENTS WITH MECHANICAL CONTRACTOR.
 - NEW 208/3PH CONNECTION FOR ROOFTOP UNITS. EC TO COORDINATE EXACT LOCATION AND CONNECTION REQUIREMENTS WITH MECHANICAL CONTRACTOR.
 - NEW 120V CONNECTION FOR WEATHERPROOF CONVENIENCE OUTLETS.

SALAS O'BRIEN
MECHANICAL / ELECTRICAL



JV
drawn by
TVO
checked by
MARCH 2024
date
revisions

MOORE PUBLIC SCHOOLS
BOARD OF EDUCATION
MOORE, OKLAHOMA

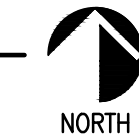


HVAC REPLACEMENT
KINGSGATE
ELEMENTARY SCHOOL

sheet no:

E-201

1 ELECTRICAL ROOF PLAN
SCALE: 1/16" = 1'-0"



Salas O'Brien
2600 Van Buren St., Suite 2635
Norman, OK 73072
Salas O'Brien Registration: CA# 7058
Expiration Date: 6/30/2025
Salas O'Brien Project Number: 2024-01144-00

OWNERSHIP USE OF DOCUMENTS:
AGP EXPRESSLY RESERVES ITS COPYRIGHT AND OTHER PROPERTY RIGHTS OF ALL PLANS AND DRAWINGS DESIGNED AND/OR PRODUCED. PLANS AND DRAWINGS ARE NOT TO BE REPRODUCED IN ANY FORM OR MANNER WITHOUT THE EXPRESSED WRITTEN CONSENT OF AGP.

Panel	ROOM	ELECTRIC ROOM	VOLTS	208Y/120V 3P 4W	AIC	65,000	
M2	MOUNTING	SURFACE	BUS AMPS	400	MAIN BKR	400	
	FED FROM	MDP	NEUTRAL	100%	LUGS	STANDARD	
NOTE							
CKT #	CKT BKR	LOAD KVA	CIRCUIT DESCRIPTION	CKT #	CKT BKR	LOAD KVA	CIRCUIT DESCRIPTION
1	15/1	1.18	F-1	a	2	60/3	RTU-1
3	15/1	1.18	F-2	b	4		
5	15/1	1.18	F-3	c	6		
7	15/1	1.18	F-4	a	8	30/2	CU-1
9	15/1	1.18	F-5	b	10		
11	15/1	1.18	F-6	c	12	30/2	CU-2
13	15/1	1.18	F-7	a	14		
15	15/1	1.18	F-8	b	16	30/2	CU-3
17	15/1	1.18	F-9	c	18		
19	15/1	1.18	F-10	a	20	30/2	CU-4
21	15/1	1.18	F-13	b	22		
23	15/1	1.18	F-12	c	24	30/2	CU-5
25	15/1	1.18	F-11	a	26		
27	15/1	1.18	F-14	b	28	30/2	CU-6
29	30/2	3.54	CU-10	c	30		
31				a	32	30/2	CU-7
33	30/2	3.54	CU-11	b	34		
35				c	36	30/2	CU-8
37	15/2	2.5	CU-14	a	38		
39				b	40	30/2	CU-9
41	20/1	0.54	ROOF RECEPTACLE	c	42		
43	20/1	0.54	ROOF RECEPTACLE	a	44	15/2	CU-13
45	20/1	0	SPACE	b	46		
47	20/1	0	SPACE	c	48	30/2	CU-12
49	20/1	0	SPACE	a	50		
51	20/1	0	SPACE	b	52	20/1	SPACE
53	20/1	0	SPACE	c	54	20/1	SPACE

	CONN KVA	CALC KVA		CONN KVA	CALC KVA
LARGEST MOTOR	18.7	4.68 (25%)	MOTORS RECEPTACLES	82.6	82.6 (100%)
				1.08	1.08 (50%>10)
TOTAL LOAD				88.4	
BALANCED 3-PHASE LOAD				245 A	
PHASE A				105%	
PHASE B				96.7%	
PHASE C				98.2%	

FEEDER SCHEDULE				
AMPS	CONDUIT SIZE 4W	CONDUIT SIZE 3W	PHASE CONDUCTORS	EQUIPMENT GROUND CONDUCTOR
20	3/4"	3/4"	#12	#12
25	3/4"	3/4"	#10	#10
30	3/4"	3/4"	#10	#10
35	1"	3/4"	#8	#10
40	1"	3/4"	#8	#10
45	1"	1"	#6	#10
50	1"	1"	#6	#10
60	1 1/4"	1 1/4"	#4	#10
70	1 1/4"	1 1/4"	#4	#8
80	1 1/4"	1 1/4"	#3	#8
90	1 1/2"	1 1/4"	#2	#8
100	1 1/2"	1 1/4"	#2	#8
110	2"	1 1/2"	#1	#6
125	2"	1 1/2"	#1	#6
150	2"	1 1/2"	#1/0	#6
175	2"	2"	#2/0	#6
200	2"	2"	#3/0	#6
225	2 1/2"	2"	#4/0	#4
250	3"	2 1/2"	250 kcmil	#4
300	3"	3"	350 kcmil	#4
350	3 1/2"	3"	500 kcmil	#3
400	(2) 2"	(2) 2"	2 SETS OF #3/0	#3
450	(2) 2 1/2"	(2) 2"	2 SETS OF #4/0	#2
500	(2) 2 1/2"	(2) 2 1/2"	2 SETS OF 250 kcmil	#2
600	(2) 3"	(2) 3"	2 SETS OF 350 kcmil	#1
700	(2) 3 1/2"	(2) 3"	2 SETS OF 500 kcmil	#1/0
800	(3) 3"	(3) 2 1/2"	3 SETS OF 300 kcmil	#1/0
900	(3) 3 1/2"	(3) 3"	3 SETS OF 400 kcmil	#2/0
1000	(3) 3 1/2"	(3) 3"	3 SETS OF 500 kcmil	#2/0
1200	(4) 3"	(4) 3"	4 SETS OF 350 kcmil	#3/0
1600	(5) 3 1/2"	(5) 3"	5 SETS OF 500 kcmil	#4/0
1800	(6) 3 1/2"	(6) 3"	6 SETS OF 400 kcmil	250 kcmil
2000	(6) 3 1/2"	(6) 3"	6 SETS OF 500 kcmil	250 kcmil
2500	(7) 3 1/2"	(7) 3"	7 SETS OF 500 kcmil	350 kcmil

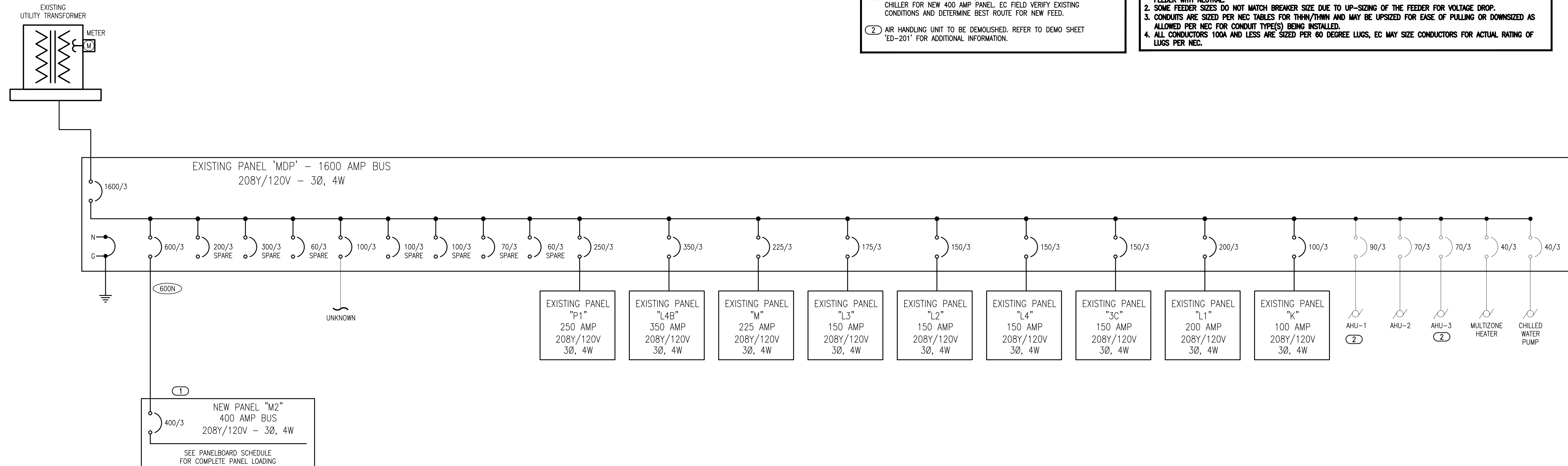
NOTES:

- FEEDER SIZES ARE ON THE PLAN WHERE 60 REFERS TO A 60A FEEDER WITHOUT NEUTRAL AND 60N REFERS TO A 60A FEEDER WITH NEUTRAL.
- SOME FEEDER SIZES DO NOT MATCH BREAKER SIZE DUE TO UP-SIZING OF THE FEEDER FOR VOLTAGE DROP.
- CONDUITS ARE SIZED PER NEC TABLES FOR THHN/THWN AND MAY BE UPSIZED FOR EASE OF PULLING OR DOWNSIZED AS ALLOWED PER NEC FOR CONDUIT TYPE(S) BEING INSTALLED.
- ALL CONDUCTORS 100A AND LESS ARE SIZED PER 90 DEGREE LUGS, EC MAY SIZE CONDUCTORS FOR ACTUAL RATING OF LUGS PER NEC.

KEYED NOTES

① EC TO RE USE EXISTING 600/3 POLE BREAKER FROM DEMOLISHED CHILLER FOR NEW 400 AMP PANEL. EC FIELD VERIFY EXISTING CONDITIONS AND DETERMINE BEST ROUTE FOR NEW FEED.

② AIR HANDLING UNIT TO BE DEMOLISHED. REFER TO DEMO SHEET 'ED-201' FOR ADDITIONAL INFORMATION.



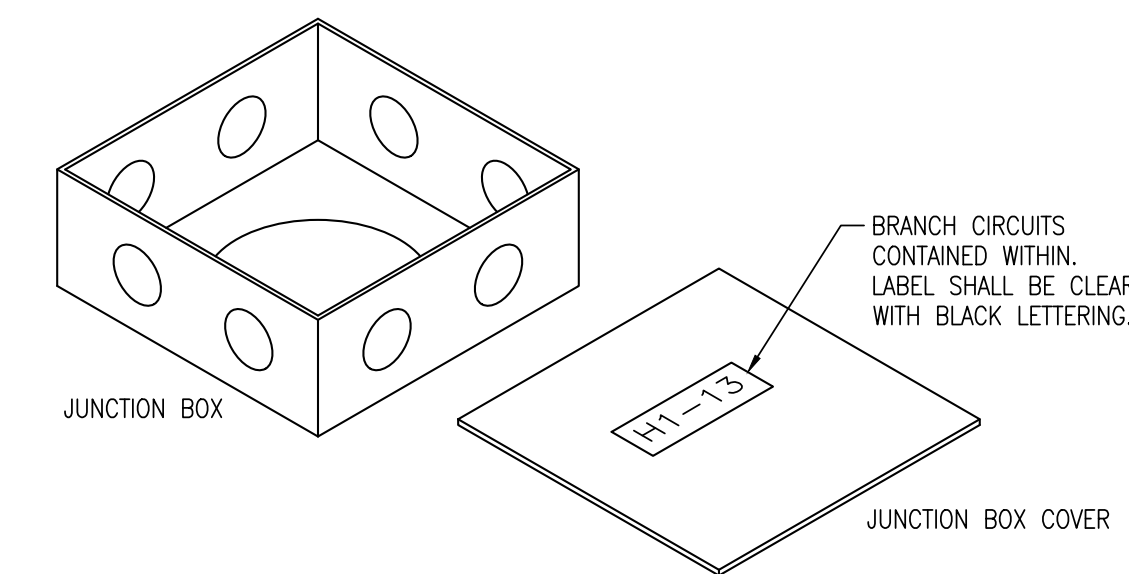
1 RISER DIAGRAM
NO SCALE



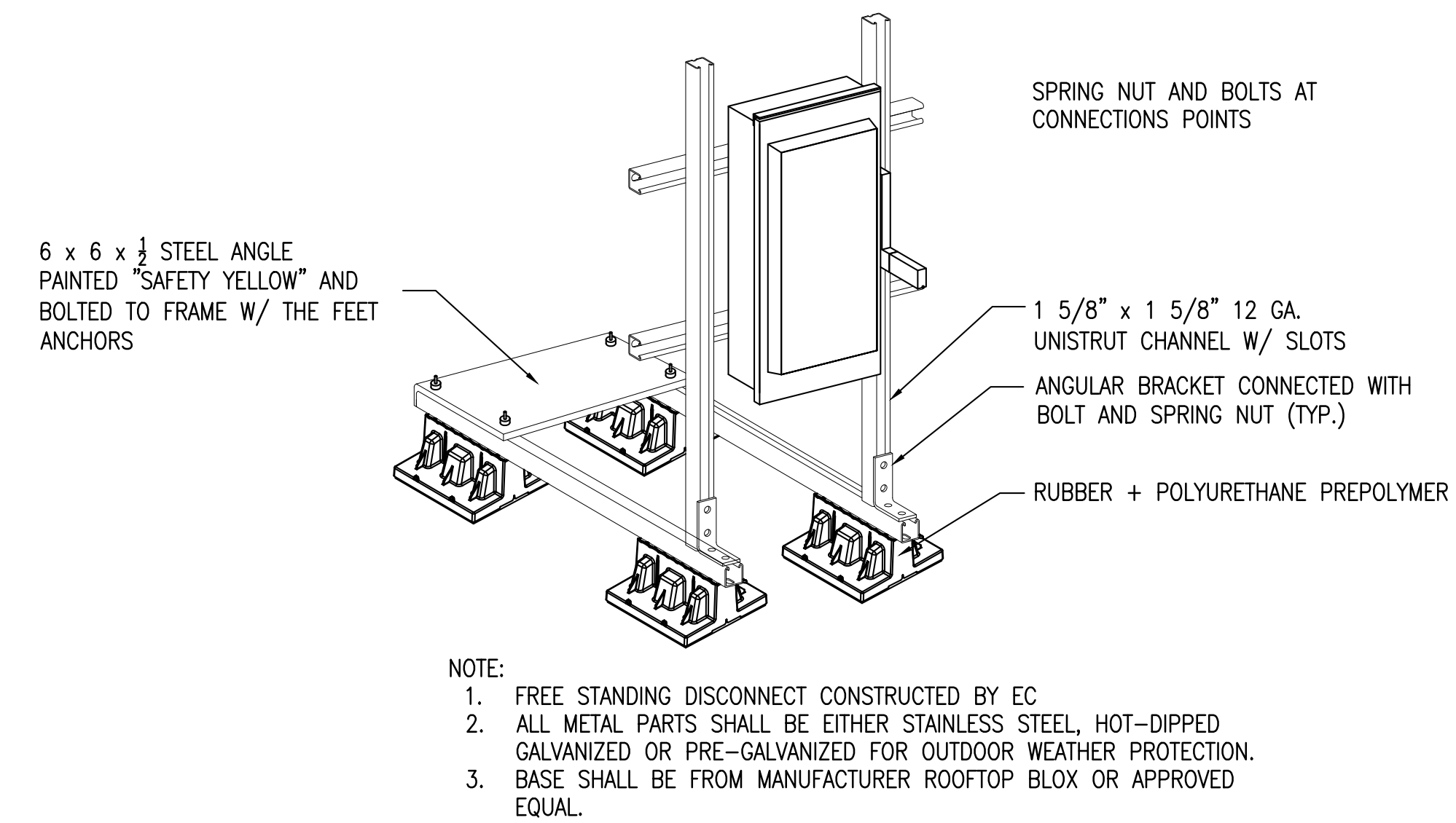
JV
drawn by
TVO
checked by
MARCH 2024
date
revisions



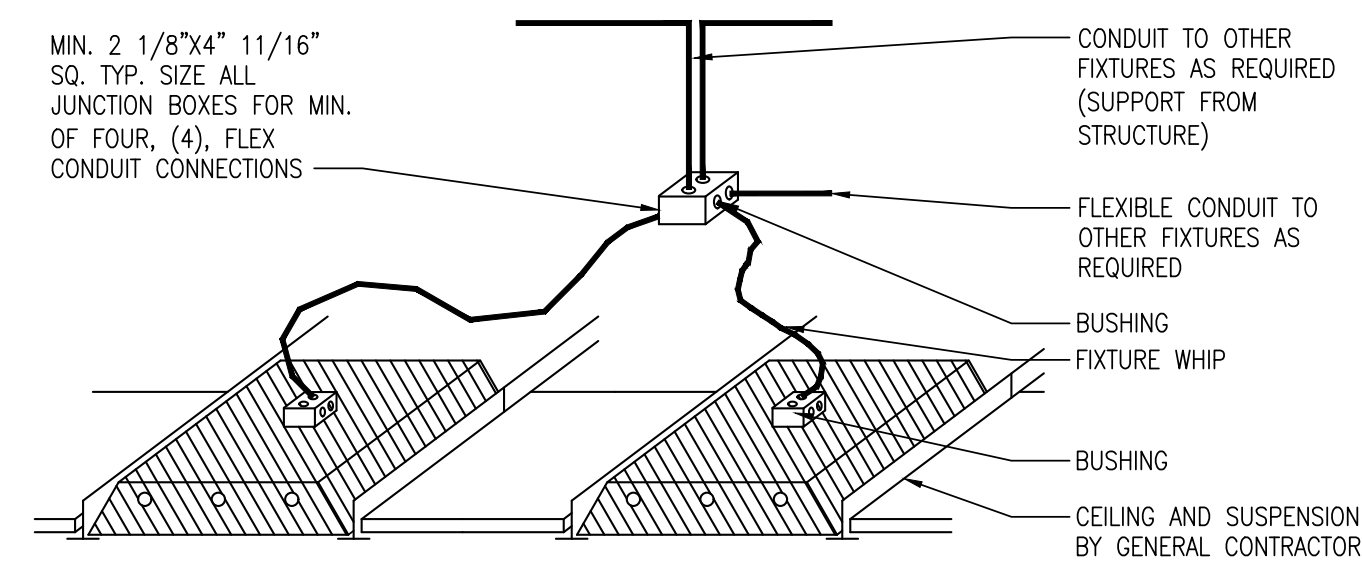
sheet no:



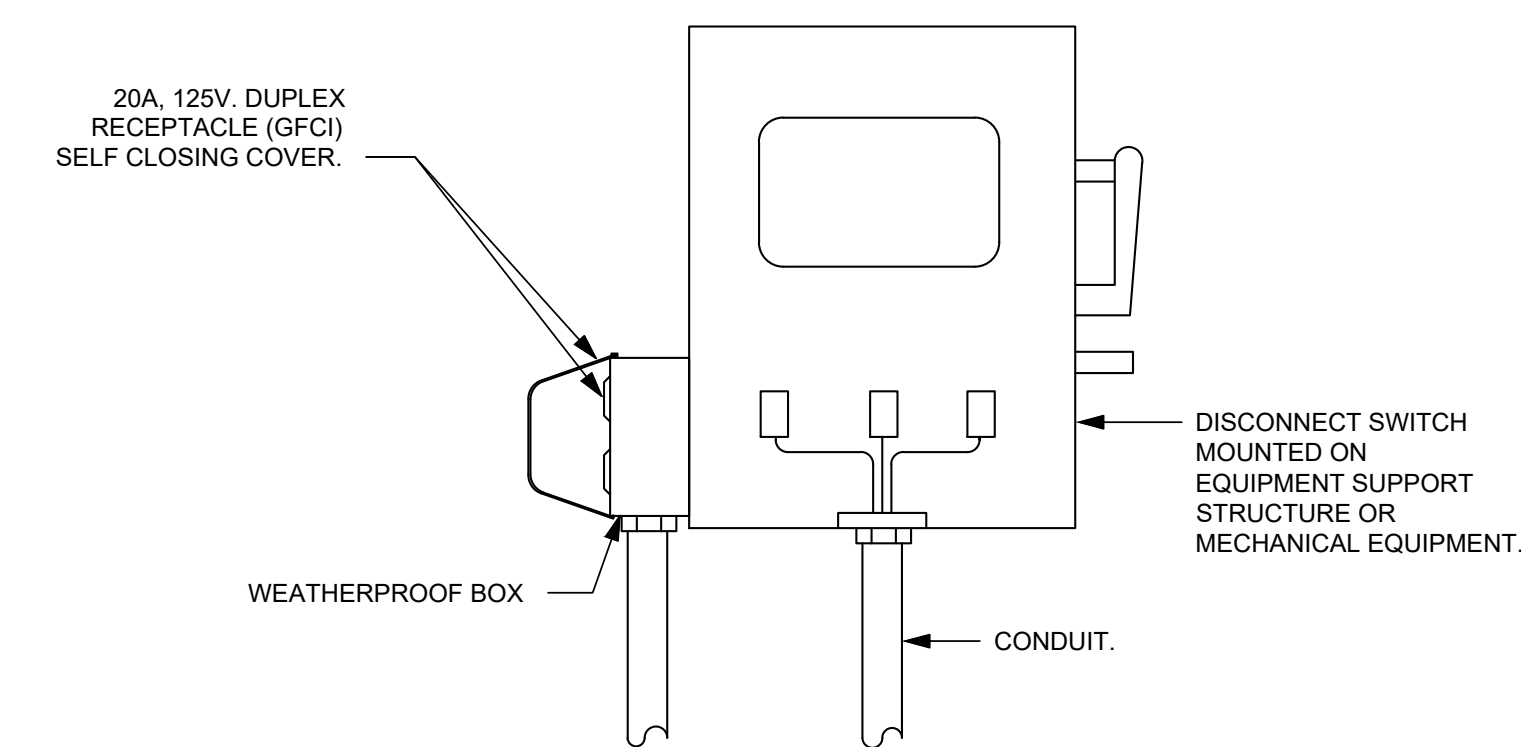
2 JUNCTION BOX LABELING DETAIL
NO SCALE



1 DISCONNECT ROOF MOUNTING DETAIL
NO SCALE



4 TYP. TROFFER POWER DETAIL
NO SCALE



3 TYP. ROOF MOUNTED RECEPTACLE DETAIL
NO SCALE



JV
drawn by
TVO
checked by
MARCH 2024
date
revisions

MOORE PUBLIC SCHOOLS
BOARD OF EDUCATION
MOORE, OKLAHOMA



HVAC REPLACEMENT
KINGSGATE
ELEMENTARY SCHOOL

sheet no:

E-501



2600 Van Buren St., Suite 2635
Norman, OK 73072
Salas O'Brien Registration: CA# 7058
Expiration Date: 6/30/2025
Salas O'Brien Project Number: 2024-01144-00

OWNERSHIP USE OF DOCUMENTS:
AGP EXPRESSLY RESERVES ITS
COPYRIGHT AND OTHER PROPERTY
RIGHTS OF ALL PLANS AND DRAWINGS
DESIGNED AND/OR PRODUCED. PLANS
AND DRAWINGS ARE NOT TO BE
REPRODUCED IN ANY FORM OR MANNER
WITHOUT THE EXPRESSED WRITTEN
CONSENT OF AGP.